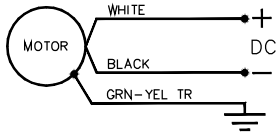


NOTES:

1. CUSTOMER IS RESPONSIBLE FOR VERIFYING THAT MOTOR AND/OR CONTROL PERFORMANCE IS SUITABLE IN THE APPLICATION.
2. DIMENSIONS DO NOT INCLUDE .006 MAXIMUM PAINT THICKNESS.
3. ENVIRONMENTAL RATING: IP40
4. AGENCY APPROVALS: UL-E47177
5. PACKAGING LABEL WITH BODINE P/N 61900210
6. CONNECTION DIAGRAM:

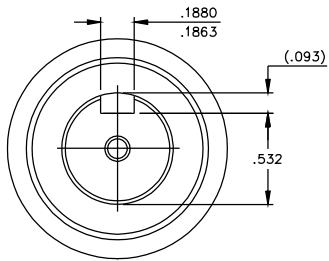
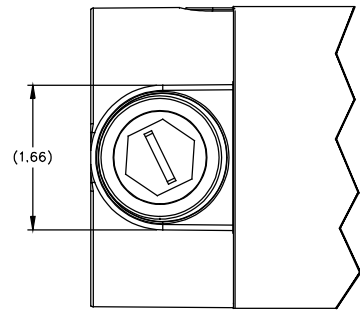
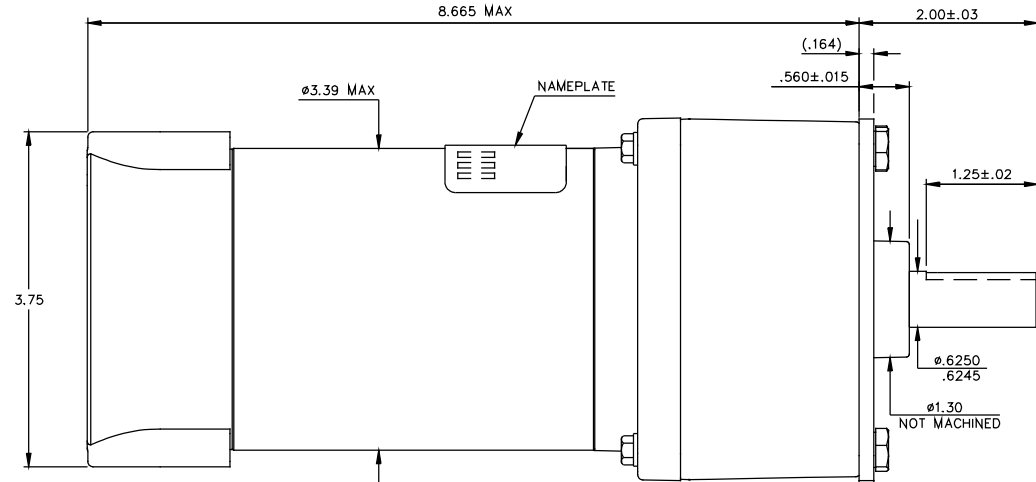


DIRECTION OF ROTATION: CLOCKWISE
TO REVERSE DIRECTION OF ROTATION,
TRANSPOSE WHITE & BLACK LEADS.

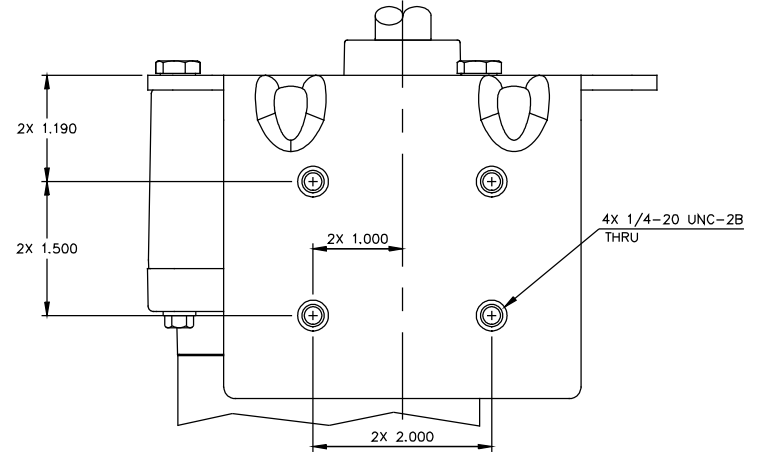
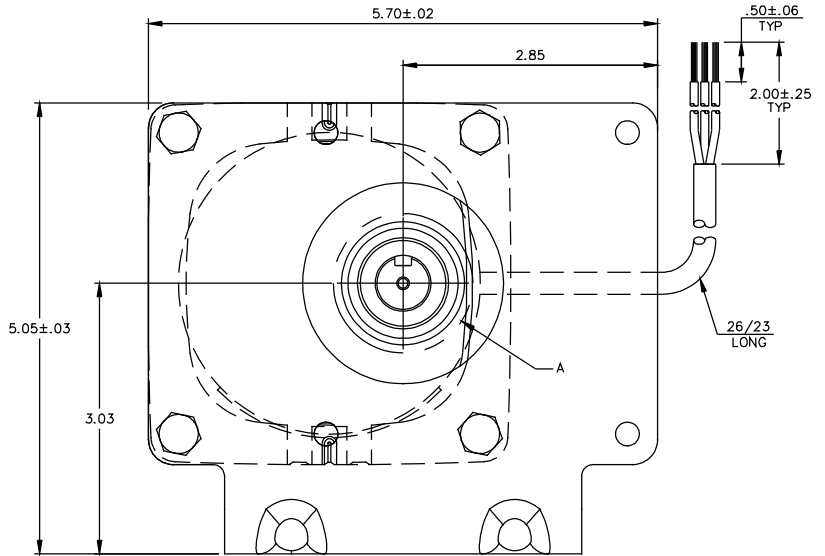
BODINE <small>©bodine-electric.com</small>	
ELECTRIC	Gearmotor
COMPANY	
BODINE P/N 61900210	
S/N	
TYPE	33A5BEPM-WX2
VOLTS	180
HZ	DC PH FF 1.0
A	.98
HP	1/5 AMB°C 40
μF	INS FB
TIME	CONT
RPM	500
TORQ	18 lb-in
RATIO	5.48:1

NAMEPLATE DATA

PART NO./REV. INFS2652 B	
GRMTR 33A5BEPM-WX2 61900210	
GEARMOTOR 33A5BEPM-WX2 61900210	
AMAZON	
GRAPHIC NO: INFS2652.B	DESIGNER: WAA
#DOC NO: 20210021	SCALE: NONE
	PHASE-IN DATE: 12/30/2079
	PHASE-OUT DATE: 12/31/2079
UNLESS OTHERWISE SPECIFIED: UNITS ARE IN INCHES [mm]	
TOLERANCES: XX±.01, XXX±.005 ANGLES: X'±3' X.X'±0.5'	
BODINE ELECTRIC COMPANY	
* MODIFICATION SUMMARY *	
BASE MODEL 1152	
WINDING	
DRIVESHAFT	
MOUNTING BRACKET	
NAMEPLATE	
LABEL	



DETAIL A
SCALE 2:1



DRAWING APPROVAL	
SIGNED NAME	DATE
PRINTED NAME	