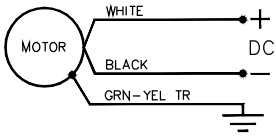


NOTES:

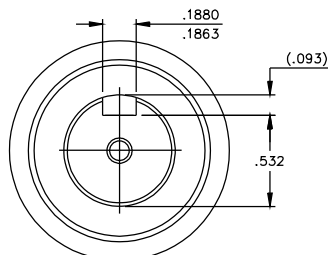
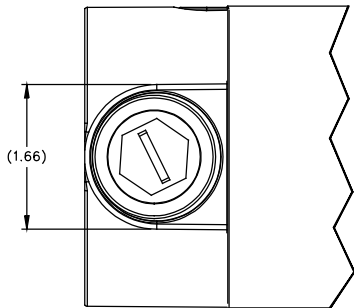
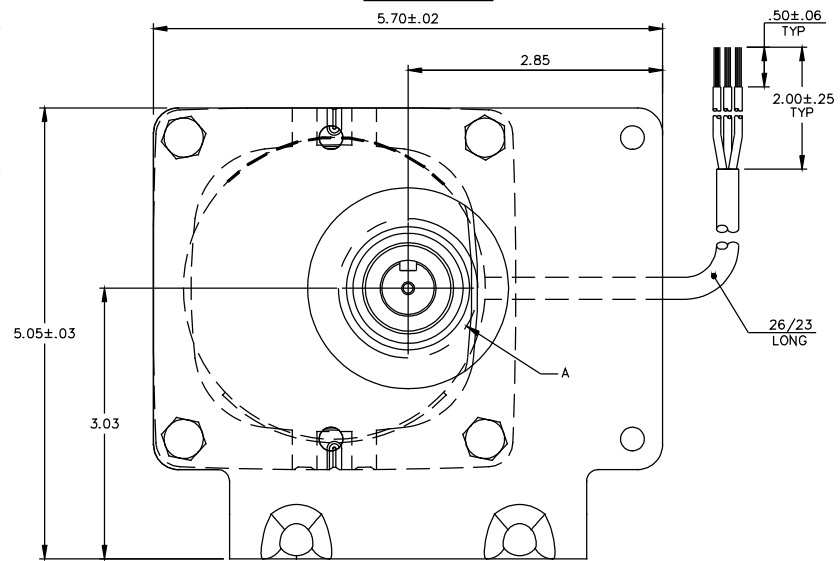
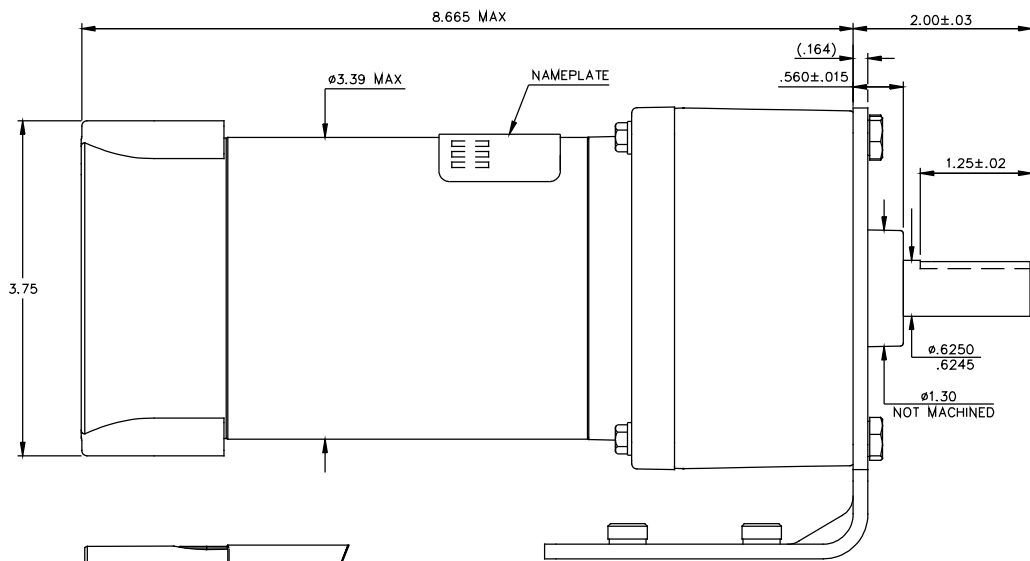
1. CUSTOMER IS RESPONSIBLE FOR VERIFYING THAT MOTOR AND/OR CONTROL PERFORMANCE IS SUITABLE IN THE APPLICATION.
2. DIMENSIONS DO NOT INCLUDE .006 MAXIMUM PAINT THICKNESS.
3. ENVIRONMENTAL RATING: IP40
4. AGENCY APPROVALS: UL-E47177
5. PACKAGING LABEL WITH BODINE P/N 61900550
6. CONNECTION DIAGRAM:



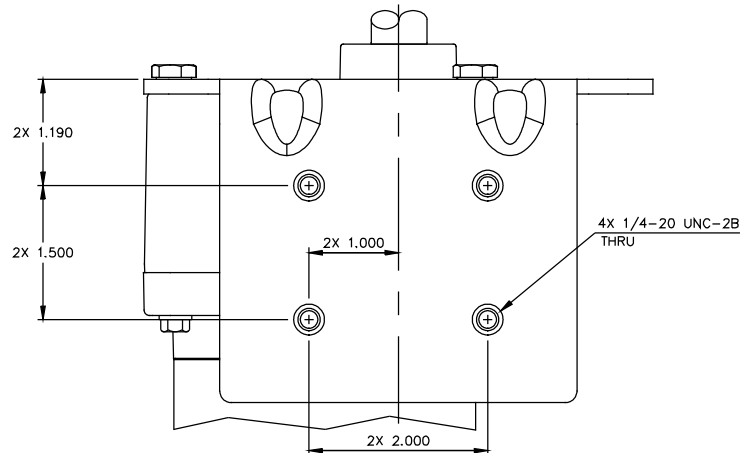
DIRECTION OF ROTATION: CLOCKWISE
TO REVERSE DIRECTION OF ROTATION,
TRANSPOSE WHITE & BLACK LEADS.

BODINE® bodine-electric.com	
ELECTRIC	Gearmotor
COMPANY	
BODINE P/N 61900550	
S/N	
TYPE	33A5BEPM-WX2
VOLTS	180
HZ	DC PH FF 1.4
A	.80
HP	1/7 AMB°C 40
μF	INS F8
TIME	CONT
RATIO	9.4:1 RPM 266
TORQ	26 lb-in
CRAPIUS	
NAMEPLATE DATA	

PART NO./REV. INFS2687 B	
GRMTR 33A5BEPM-WX2 61900550	
GEARMOTOR 33A5BEPM-WX2 61900550	
AMAZON	
GRAPHIC NO: INFS2687.B	DESIGNER: WAA
#DOC NO: 20210021	SCALE: NONE
PHASE-IN DATE: 12/30/2079	PHASE-OUT DATE: 12/31/2079
UNLESS OTHERWISE SPECIFIED: UNITS ARE IN INCHES [mm]	
TOLERANCES: XX±.01, XXX±.005 ANGLES: X'±3' X.X'±0.5'	
BODINE ELECTRIC COMPANY	
* MODIFICATION SUMMARY *	
BASE MODEL 1153	
DRIVESHAFT	
MOUNTING BRACKET	
NAMEPLATE	
LABEL	



DETAIL A
SCALE 2:1



DRAWING APPROVAL	
SIGNED NAME	DATE
PRINTED NAME	